

FORMEX™ GL PRODUCT DATA

FLAME RETARDANT POLYPROPYLENE SHEET

TEST METHOD	FORMEX™ GL-10	FORMEX™ GL-17
Color	Natural & Black	Natural & Black
MANUFACTURING SPECIFICATION		
Thickness		
inches	0.010 (+0.003 / -0.0015)	0.017 (+0.003 / -0.001)
millimeters	0.25 (+0.08 / -0.04)	0.43 (+0.08 / -0.03)
UL FLAMMABILITY RATING / PERFORMANCE LEVELS		
Flammability	UL 94	VTM-0
Relative Temperature Index	UL 746B	V-0
Electrical	125°C / 257°F	125°C / 257°F
Mechanical Without Impact	115°C / 239°F	115°C / 239°F
High Current Arc Ignition - PLC (arcs to ignite)	UL 746A	2
High Voltage Arc Tracking - PLC (in / min)	UL 746A	0
Hot Wire Ignition - PLC (seconds)	UL 746A	0
Comparative Tracking Index - PLC	ASTM D-3638	0
TYPICAL MECHANICAL PROPERTIES VALUES		
Tensile Yield - psi	ASTM D-882 / ISO 527-1,-2	
Machine Direction	5,000	4,300
Transverse Direction	2,900	3,100
TYPICAL PHYSICAL PROPERTIES VALUES		
Density - gm/cc	ASTM D-792 / ISO 1183-1, Method A	0.972
Oxygen Index - %	ASTM D-2863 / ISO 4589--1,-2	29
Water Absorption - % Change in weight	ASTM D-570 / ISO 62, Method 4	0.06%
Heat Deflection Temperature at 66 psi	ASTM D-648 0.45MPa / ISO 75-1,-2,Method B	122°C / 252°F
Surface Energy - dynes / cm (as produced)	ASTM D-2578	≥ 50
TYPICAL ELECTRICAL PROPERTIES VALUES		
Comparative Tracking Index - volts	IEC 60112	600
Dielectric Breakdown - volts	ASTM D-149 / IEC 60243-1	18,799
Dielectric Strength - volts / mil	ASTM D-149 / IEC 60243-1	1,880
Volume Resistivity - ohm-cm	ASTM D-257 / IEC 62631-3-1	1 x 10 ¹⁶
Dielectric Constant	ASTM D-150 / IEC 60250, 1MHz	1.80
Dissipation Factor	ASTM D-150 / IEC 60250, 1MHz	0.0017
PACKAGING INFORMATION		
Standard Configuration	Roll	Roll
Core ID - inches (millimeters)	6 (152)	6 (152)
Roll OD - inches (millimeters) (approximate)	18 (457)	18 (457)
Roll Width - inches (millimeters)	24 (610)	24 (610)
Roll Weight - lbs (kgs) (approximate)	192 (87)	172 (78)
Length/Roll - feet (meters)	2,000 (609.6)	1,000 (304.8)
Area/Roll - square feet (square meters)	4,000 (371.6)	2,000 (185.8)

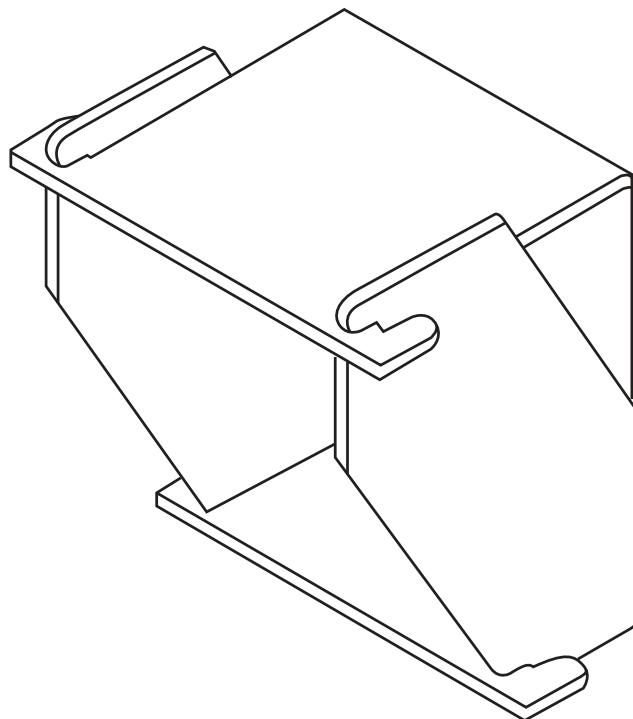
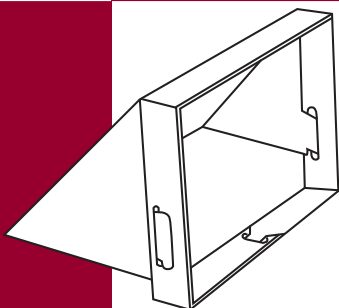
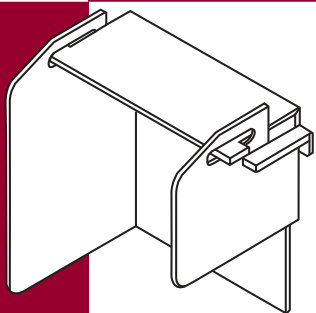
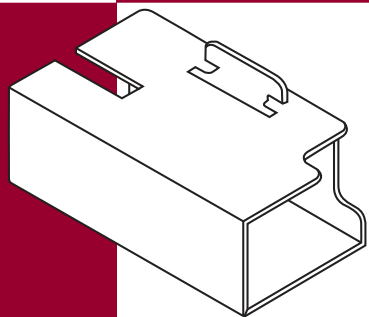
Notice: The above data is believed to be accurate and reliable. ITW assumes no responsibility for end-use application, and no performance warranty is expressed or implied. Formex is a registered trademark of ITW. GL is the specific name of our product. Others can not use it without our permission.

ITW Formex[®]

FORMEX™ GL

FLAME RETARDANT

CONTINUOUS USE TEMPERATURE TO 125°C



- Flammability Rating UL 94 VTM-0
- H2O Absorption 0.06%
- Temperature Rating 125°C / 257°F
- Dielectric Strength 1,880 Volts / mil @0.010"
- UL Recognized File E121855

For more information or Formex GL samples, please contact us at 630-315-2171.

425 N. Gary Ave. Carol Stream, IL 60188

www.itwformex.com