



# FORMEX™ CND PRODUCT DATA

## FLAME RETARDANT POLYCARBONATE SHEET

ITW Electronic Components FORMEX  
 425 North Gary Ave.  
 Carol Stream, IL 60188  
 Phone: 630-315-2171  
 Website: www.itwformex.com

	TEST METHOD	FORMEX™ CND-8	FORMEX™ CND-10
Color		Natural & Black	Natural & Black
<b>MANUFACTURING SPECIFICATION</b>			
Thickness			
inches		0.008 (+0.001 / -0.001)	0.010 (+0.0015 / -0.0015)
millimeters		0.20 (+0.03 / -0.03)	0.25 (+0.04 / -0.04)
<b>UL FLAMMABILITY RATING / PERFORMANCE LEVELS</b>			
Flammability	UL 94	VTM-0	VTM-0
Relative Temperature Index	UL 746B		
Electrical		80°C / 176°F	80°C / 176°F
Mechanical Without Impact		80°C / 176°F	80°C / 176°F
High Current Arc Ignition - PLC (arcs to ignite)	UL 746A	1	1
High Voltage Arc Tracking - PLC (in / min)	UL 746A	1	1
Hot Wire Ignition - PLC (seconds)	UL 746A	4	4
Comparative Tracking Index - PLC	ASTM D-3638	3	3
Furnished As		Three layers of sheets	Three layers of sheets
Voltage Meets Mandrel Test, VAC	IEC 60950-1 / IEC 61558-1	7,000	7,000
<b>TYPICAL MECHANICAL PROPERTIES VALUES</b>			
Tensile Yield - psi	ASTM D-882 / ISO 527-1,-2		
Machine Direction		7,200	7,200
Transverse Direction		6,900	6,900
<b>TYPICAL PHYSICAL PROPERTIES VALUES</b>			
Density - gm / cc	ASTM D-792 / ISO 1183-1, Method A	1.21	1.21
Oxygen Index - %	ASTM D-2863 / ISO 4589--1,-2	29	29
Water Absorption - % Change in weight	ASTM D-570 / ISO 62, Method 4	0.2%	0.2%
Heat Deflection Temperature under load	ASTM D-648 0.45MPa / ISO 75-1,-2,Method B	140°C / 284°F	140°C / 284°F
<b>TYPICAL ELECTRICAL PROPERTIES VALUES</b>			
Comparative Tracking Index - volts	IEC 60112	175	175
Dielectric Breakdown - volts	ASTM D-149 / IEC 60243-1	16,029	17,587
Dielectric Strength - volts / mil	ASTM D-149 / IEC 60243-1	2,004	1,759
Volume Resistivity - ohm-cm	ASTM D-257 / IEC 62631-3-1	1.2 x 10 <sup>16</sup>	1.2 x 10 <sup>16</sup>
Dielectric Constant	ASTM D-150 / IEC 60250, 1MHz	2.22	2.22
Dissipation Factor	ASTM D-150 / IEC 60250, 1MHz	0.0072	0.0072
<b>PACKAGING INFORMATION</b>			
Standard Configuration		Roll	Roll
Core ID - inches (millimeters)		6 (152)	6 (152)
Roll OD - inches (millimeters) (approximate)		17 (432)	17 (432)
Roll Width - inches (millimeters)		24 (610)	24 (610)
Roll Weight - lbs (kgs) (approximate)		202 (92)	220 (100)
Length / Roll - feet (meters)		2,000 (609.6)	1,750 (533.4)
Area / Roll - square feet (square meters)		4,000 (371.6)	3,500 (325.2)

Notice: The above data is believed to be accurate and reliable. ITW assumes no responsibility for end-use application, and no performance warranty is expressed or implied. Formex is a registered trademark of ITW. CND is the specific name of our product. Others can not use it without our permission.

For a complete listing of Formex products, contact your Formex sales representative.

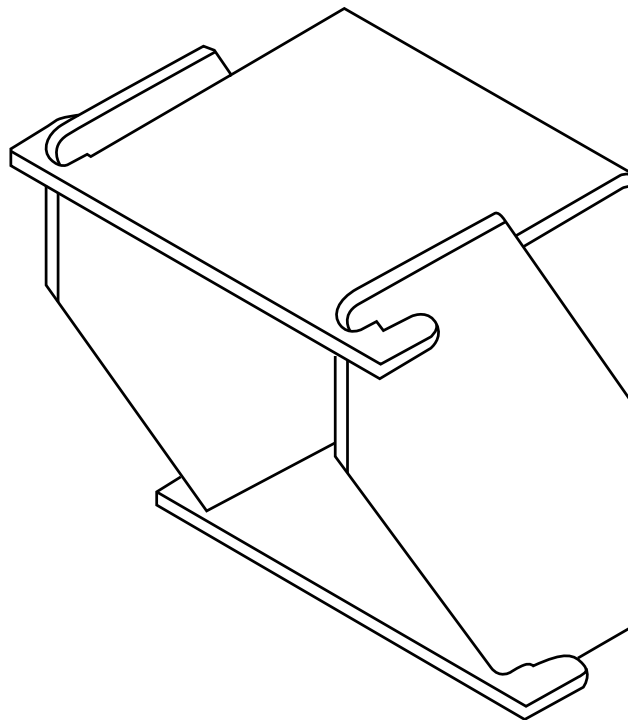
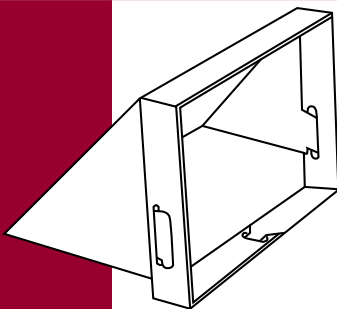
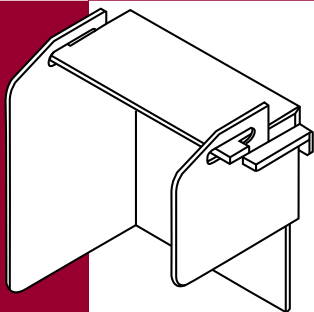
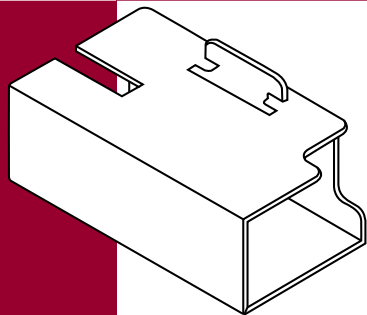
**ITW** Formex<sup>®</sup>

## **FORMEX™ CND**

**HALOGEN FREE**

**FLAME RETARDANT**

**MULTI-LAYER POLYCARBONATE SHEET**



- Flammability Rating UL 94 VTM-0
- H2O Absorption 0.24%
- Temperature Rating 80°C / 176°F
- Dielectric Strength 2,004 Volts / mil @0.008"
- Meets IEC 60950-1 or UL60950-1 with a thickness less than 0.43mm / 0.017inches
- UL Recognized File E121855

**For more information or Formex CND samples, please contact us at 630-315-2171.**

425 N. Gary Ave. Carol Stream, IL 60188

[www.itwformex.com](http://www.itwformex.com)